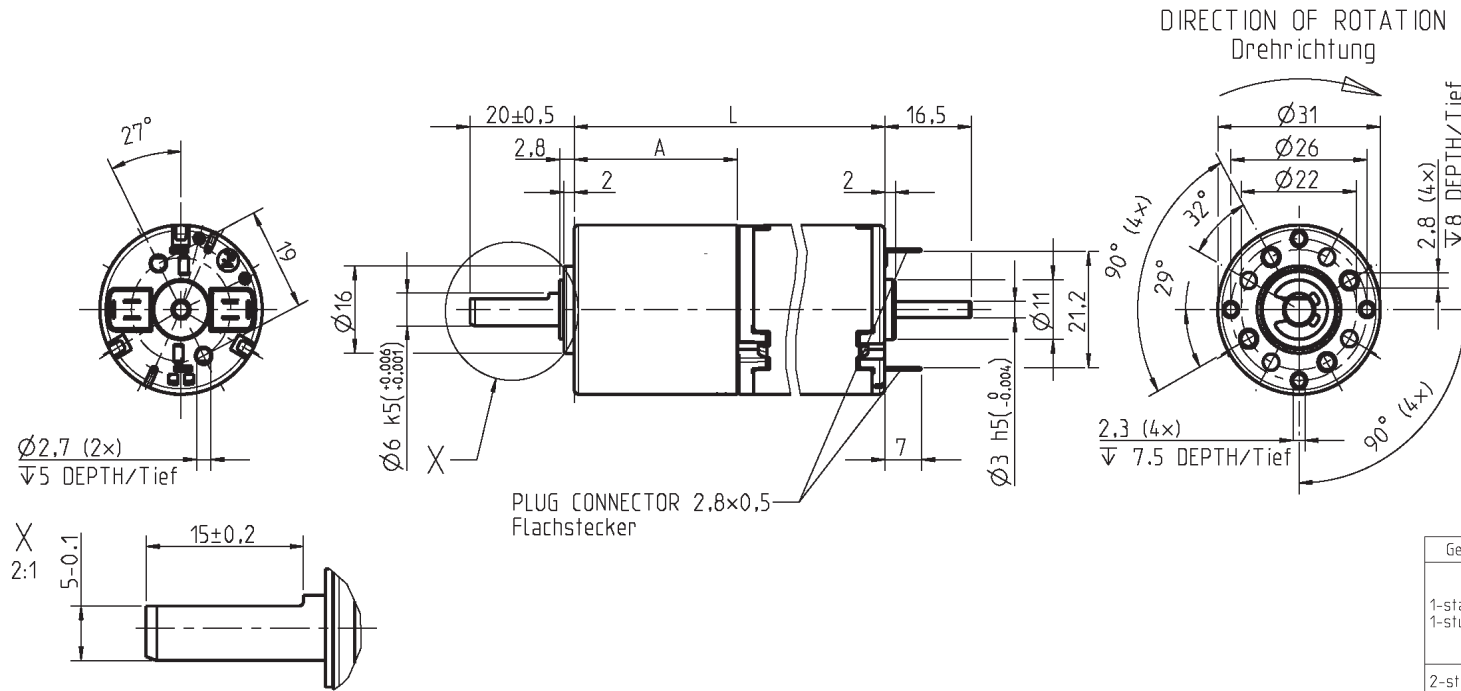


Gear Motor 31x100/106/88
1.61.077.4XX



Gearbox Type	Gear Motor Type	A	L
1-stage 1-stufig	1.61.077.410	25	100.5
	1.61.077.417		
	1.61.077.420		
2-stage 2-stufig	1.61.077.411 - 413	31.1	106.6
	1.61.077.421 - 423		
3-stage 3-stufig	1.61.077.414 - 416	37.5	88.5
	1.61.077.424 - 426		

